

TITAN - 400 smart

GOLD AND METAL DETECTOR

2 Years
guarantee



WWW.GERDETECT.DE

INDEX

Section 1	Critical Warning
Section 2	Overview
Section 3	Functions of the main unit buttons
Section 4	The long-range system
Section 5	Long-range system parts connection
Section 6	Long -range system operation steps
Section 7	Ionic system
Section 8	Ionic system communication steps
Section 9	Ionic system operation steps
Section 10	VLF system
Section 11	VLF system communication steps
Section 12	VLF system operation steps
Section 13	The device parts and accessories

Section 1 (Critical warning)



- Please be sure that all precautions are taken against risks.
 - Do not use your device while it is raining.
 - Turn on the device after you make sure that all parts are in place and connected.
 - Make sure that the device battery is fully charged before you start the search.
 - If the device starts to give a beep sound, close the device and recharge the battery.
 - when the battery will almost die the device will close automatically.
 - It is recommended to read the user manual before starting on the device to understand everything and to avoid the mistakes through the search.
 - After the device starts to make sound and turn off automatically, put the device on charge and do not try to switch on the device without charging the battery.
 - When the green indicator lights up at the charging port of the device, this means that the battery is full, but if the light is red, this indicates that the battery needs to be charged.
 - Be aware of high voltage resources, and do not use any charger other than the original charger that comes with the device.
 - Main unit of the device is under warranty against all electronic breakdowns for two (2) years, any damages caused by user errors (laying open the main unit, hits, harms etc.) are not within this warranty.
 - Battery, antennas are not under the warranty.
 - You should follow the instructions in this user manual strictly to minimize the faults and to use your device correctly.
- We wish you all the best of luck in your search.....

Section 2 (Overview)



Dear customer,

“Thank you for choosing TITAN 400 SMART”

- ✓ The world's unique and only technology that combines three systems within one device.

- ✓ Specialized in prospecting and searching for gold, precious metals, burials, caves and voids inside the ground, with confidentiality and ease.

- ✓ TITAN 400 SMART is designed to operate in all kinds of terrain and in the most difficult climatic conditions.

- ✓ This device also has the advantage of automatically switching to search systems once the parts for each system are installed.

- ✓ The device depth is up to 25 meters underground.

- ✓ The device works in 8 different languages.

- ✓ Three search systems in one device.

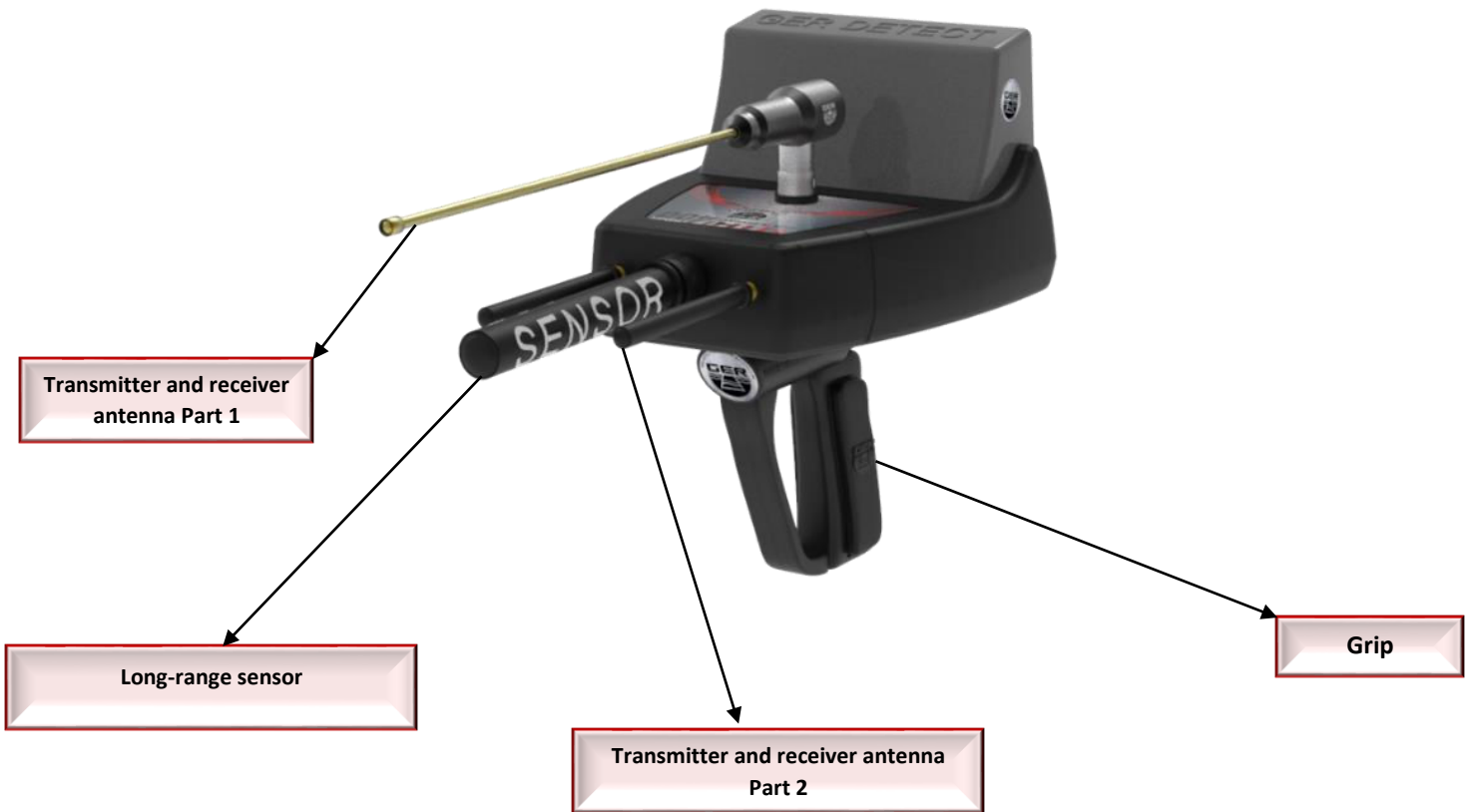
Section 3 (Functions of the main unit buttons)



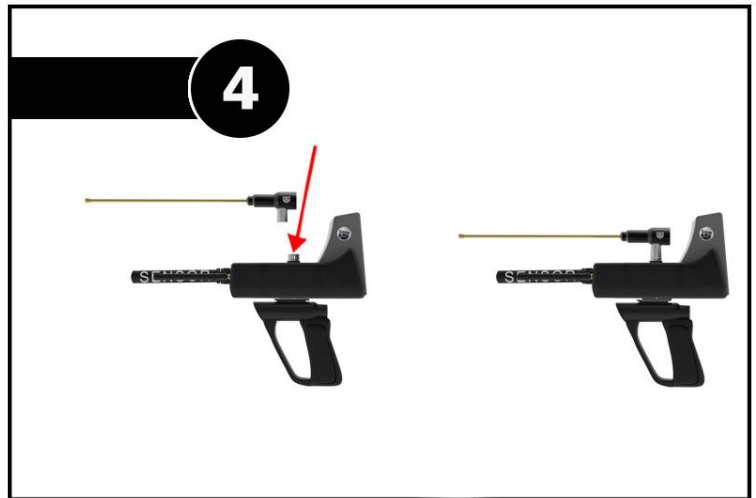
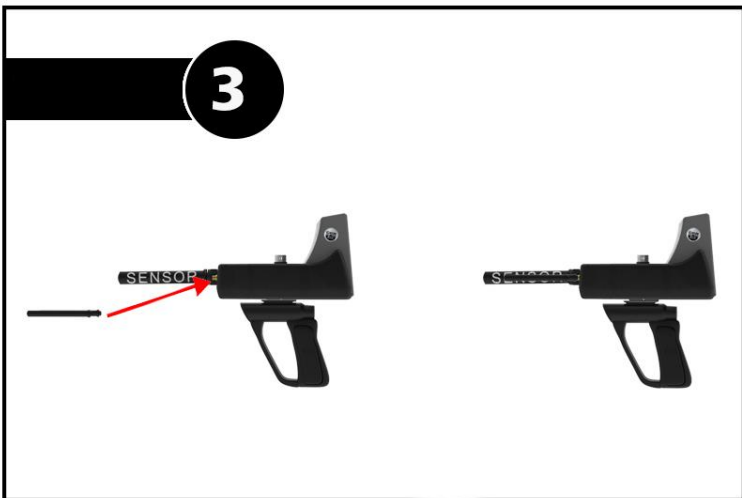
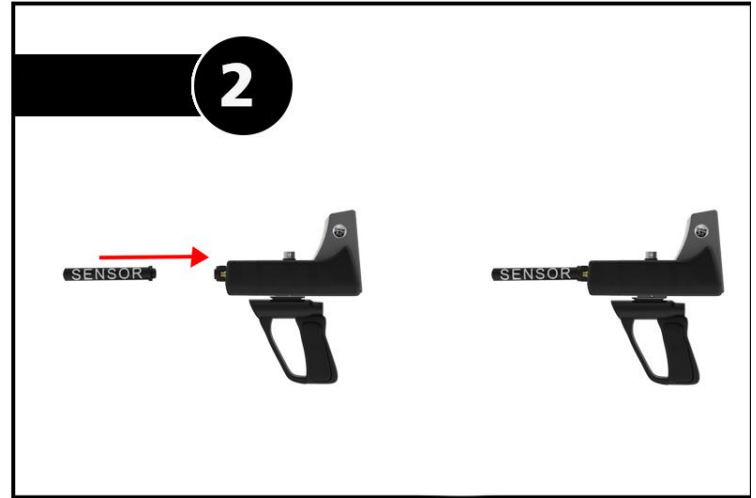
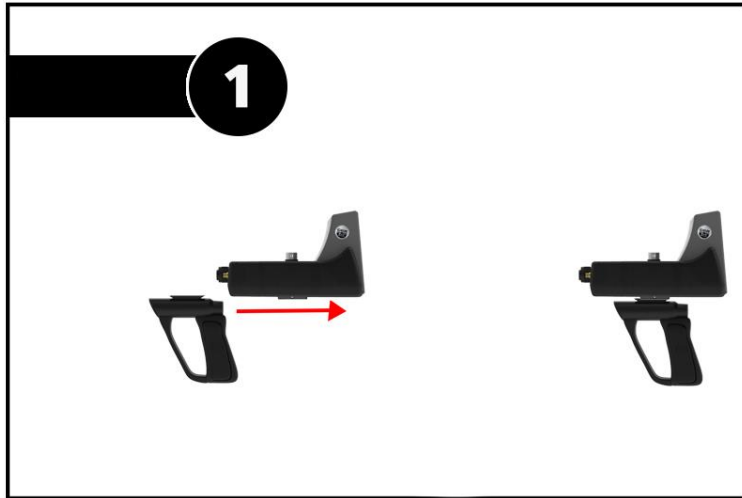
Description

1	Ground balance: to calibrate the ionic system with the ground.
2	Setting: This allows you to access and adjust the sound, and display, the information of the device.
3	Down-button : to move down between the options.
4	Ok button: use to confirm the selected option and move to the next page.
5	Up-button: to move up between the options.
6	Back button: it takes you back to the previous page.
7	Power on / off: it turns ON / OFF the device.

Section 4 (The long-range system)



Section 5 (Long-range system parts connection)



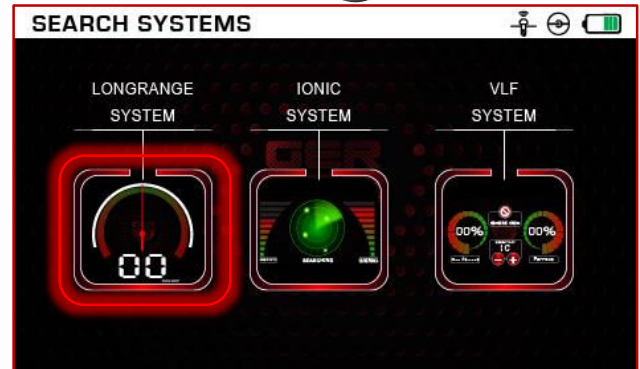
- (1) Install the handle of the device.
- (2) Install the long-range sensor. (The device will switch to the long-range system automatically.)
- (3) Install the transmitting and receiving antennas.
- (4) Connect the antenna to the signal receiver, then attach the signal receiver to the device.

Section 6 (Long -range system operation steps)

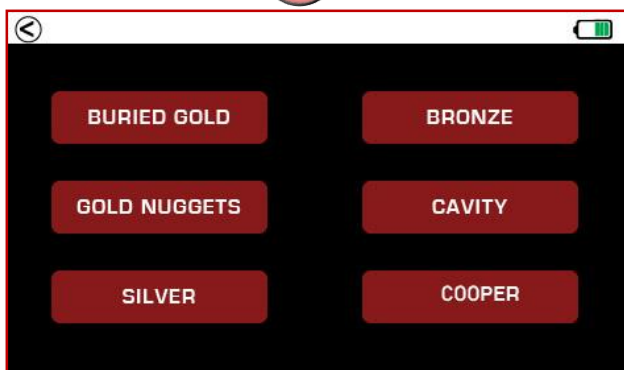
1



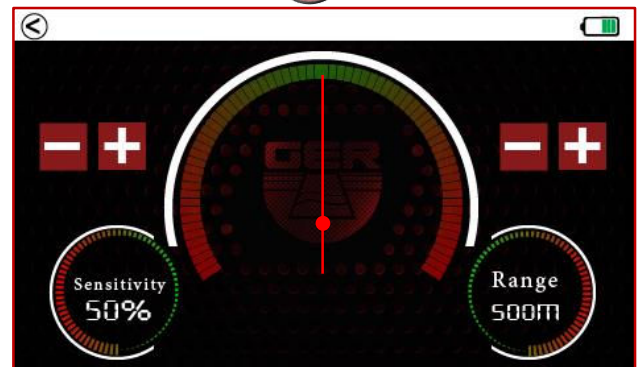
2



3



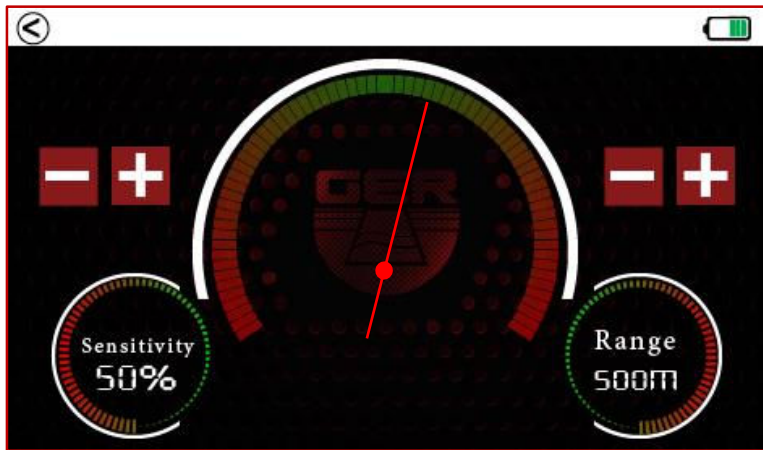
4



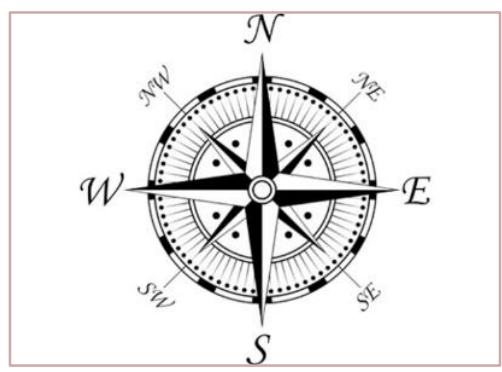
- (1) Enter the search systems.
- (2) The device will switch to the long-range system automatically.
- (3) Choose the target type to search for.
- (4) After choosing the target, a search screen will appear, which contains:

- An indicator for determining the target's location.
- The front range of the device.
- Sensitivity level (adjustable).
- Choose the appropriate front range for the search area to be covered (from 100 meters to 500 - 1000 - 1500 - 2000 - 2500 - 3000 square meters) by pressing the (- +) button (positive and negative).

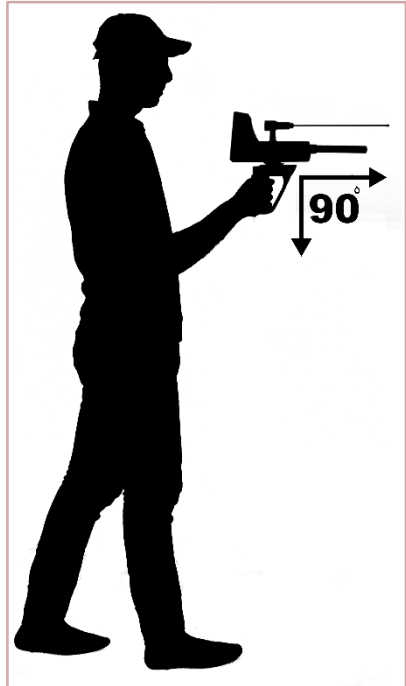
You can control the sensitivity of the long-range system by pressing the (- +) button (positive and negative).



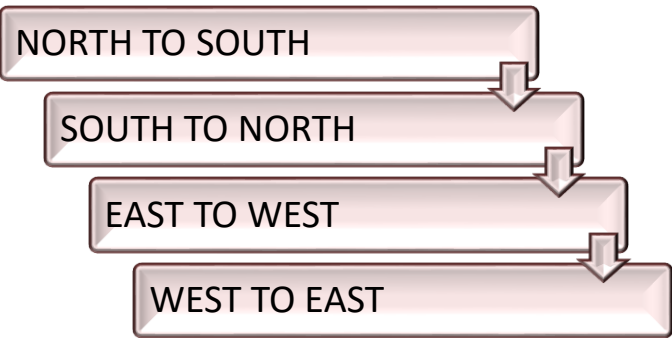
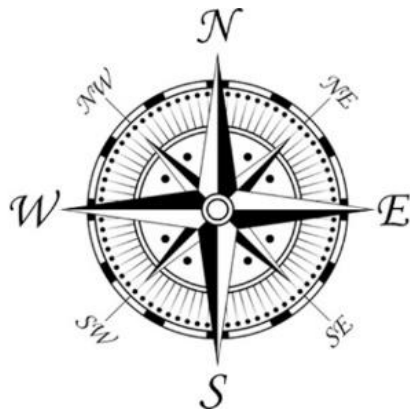
After selecting the target to be searched for, securely place the main unit to your waist and then hold the sensor grip at a **90-degree** angle in order for the antenna to function properly.



It is essential to make sure that you are standing North to South.
The reason for that is that the ionic fields are radiations emanating from gold and buried treasures that have been remaining under the ground for a long time and have immersed and interacted within the soil taking into account the nature of the Earth's formation, and its alignment with magnetic lines north and south.



If no signal is obtained, change your direction from east to west, from west to east, and from south to north.
When a signal is sensed, the antenna will turn towards the target directly.
Follow the signal until the antenna turns back, this means that you have walked past the target.
When this happens, confirm the location of the target from the four directions (from south to north, from north to south, from west to east, and from east to west).
Identify the search location by marking it as the focus of target confirmation process.

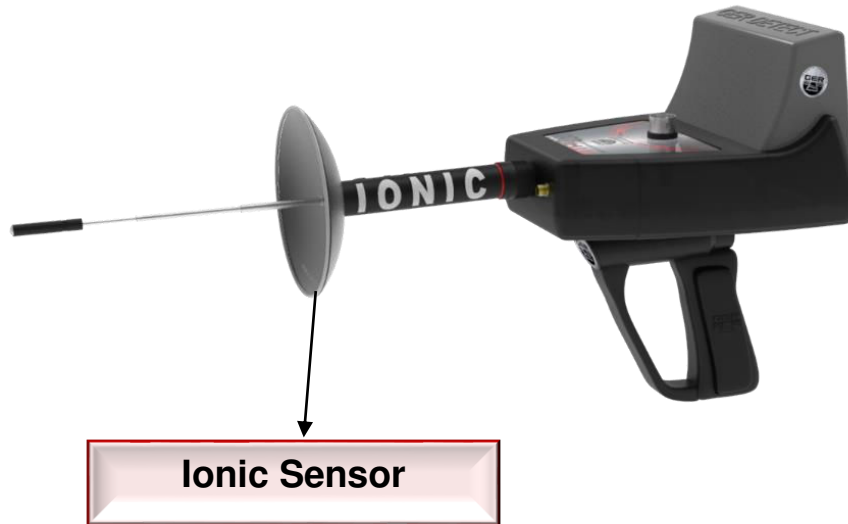


Note: The target must be buried underground for many years so that by the time and interaction with the soil's composition, an ionic field will be formed which will help prospectors to detect the target.

Therefore, testing the device on metals laid on the ground or newly buried under the ground will not show the real capacity and functionality of this device to detect the target or to reach larger depths.

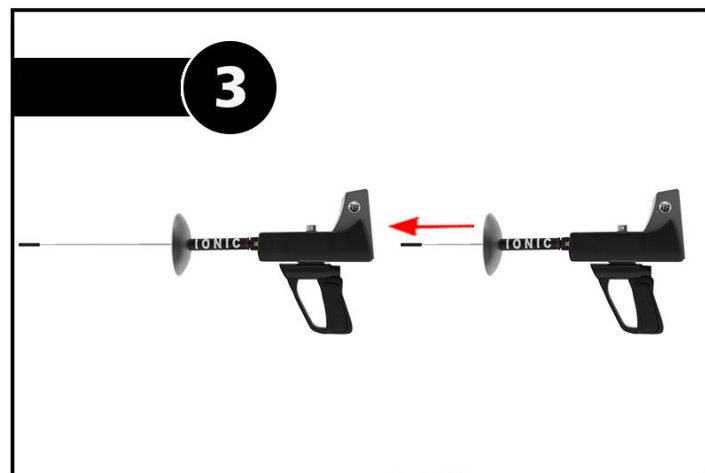
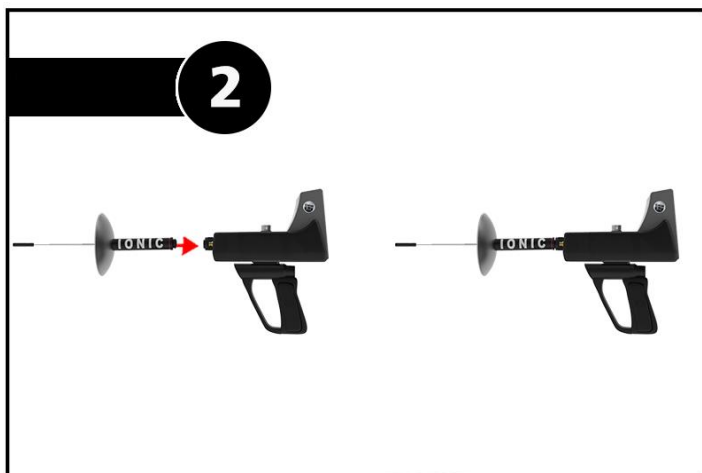
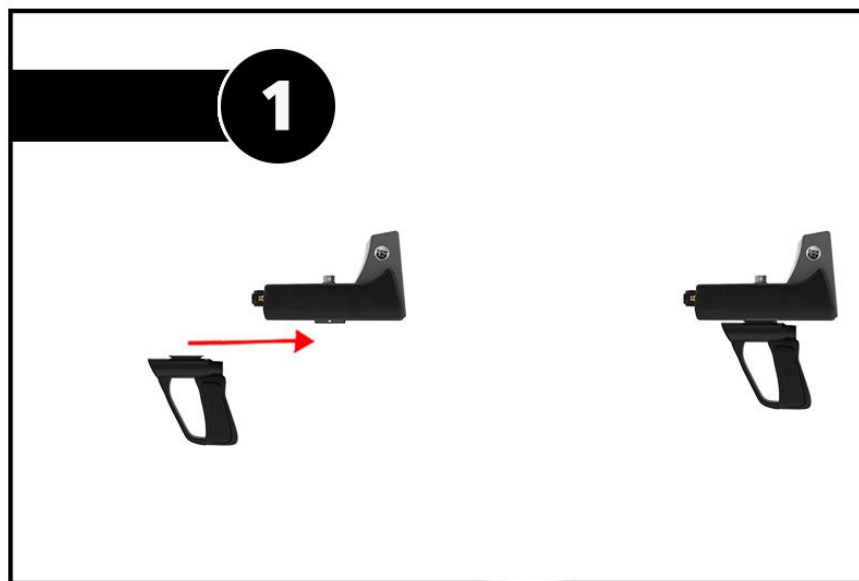
The reason for that is that the ionic fields are radiations from gold and other metals that have been in the ground for a long time and have intersected and interacted with the soil and the nature of the earth as well as having been regulated with magnetic fields north and south – These features do not actualize in gold and other metals when they exist on the ground or newly buried.

Section 7 (Ionic system)



It is a system that specializes in detecting ionic fields that form around gold and buried treasures.

Section 8 (Ionic system communication steps)



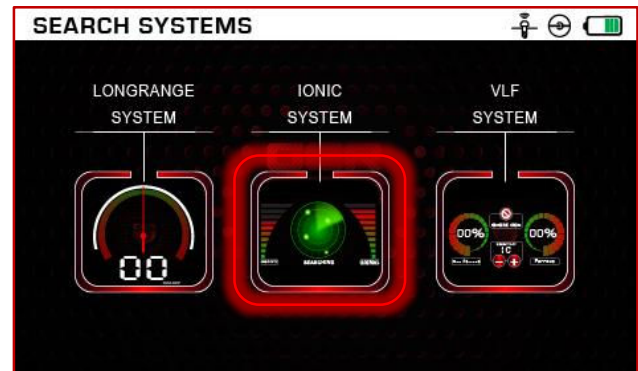
- 1- Install the handle of the device.
- 2- Install the ionic sensor.
- 3- Extend the antenna of the sensor to maximum length.

Section 9 (Ionic system operation steps)

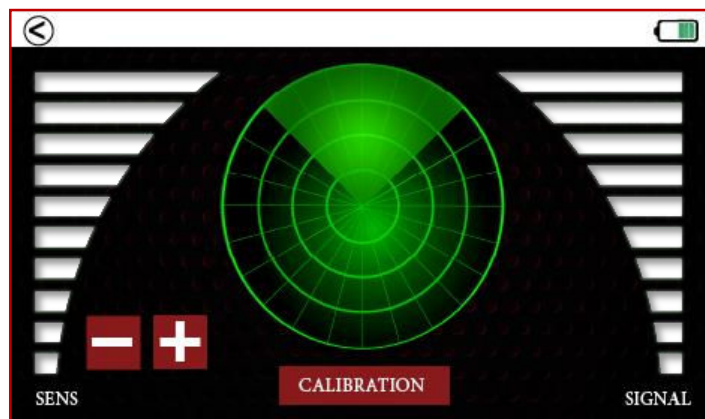
1



2



3



(1) Enter the search systems.

(2) The device will switch to the Ionic system automatically.

(3) A search screen will appear, which contains:

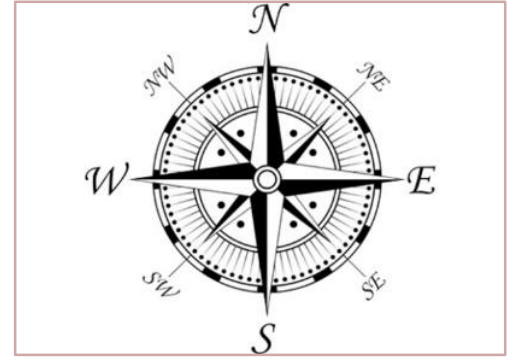
-Sensitivity level (adjustable).

-Signal level.

- Calibration button: to make the ground balance after click on this button.

It is essential to make sure that you are standing North to South.

The reason for that is that the ionic fields are radiations emanating from gold and buried treasures that have been remaining under the ground for a long time and have immersed and interacted within the soil taking into account the nature of the Earth's formation, and its alignment with magnetic lines north and south.



1-Hold the device as in the chart

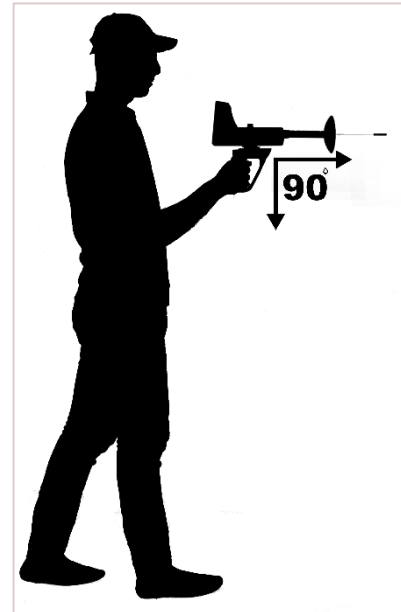
2-Start the search by moving the device left and right

Between 180 degrees.

3-When a target exists within your 180 degrees of search the indicator will start to show up, then you slow down the search to pinpoint the exact path towards the target.

4-When you determine the path towards the target start to move the device up

And down until you locate the target..

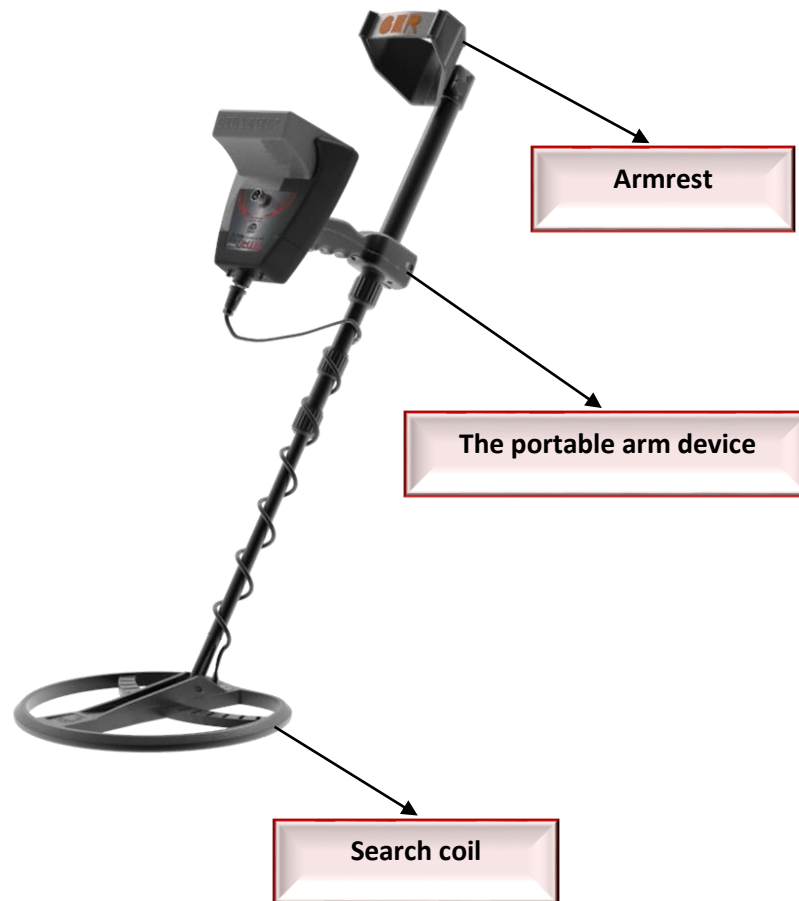


Note: The target must be buried underground for many years so that by the time and interaction with the soil's composition, an ionic field will be formed which will help prospectors to detect the target.

Therefore, testing the device on metals laid on the ground or newly buried under the ground will not show the real capacity and functionality of this device to detect the target or to reach larger depths.

The reason for that is that the ionic fields are radiations from gold and other metals that have been in the ground for a long time and have intersected and interacted with the soil and the nature of the earth as well as having been regulated with magnetic fields north and south – These features do not actualize in gold and other metals when they exist on the ground or newly buried.

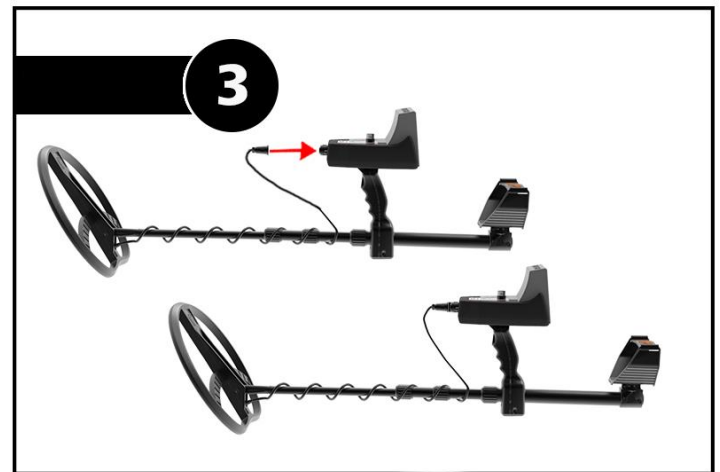
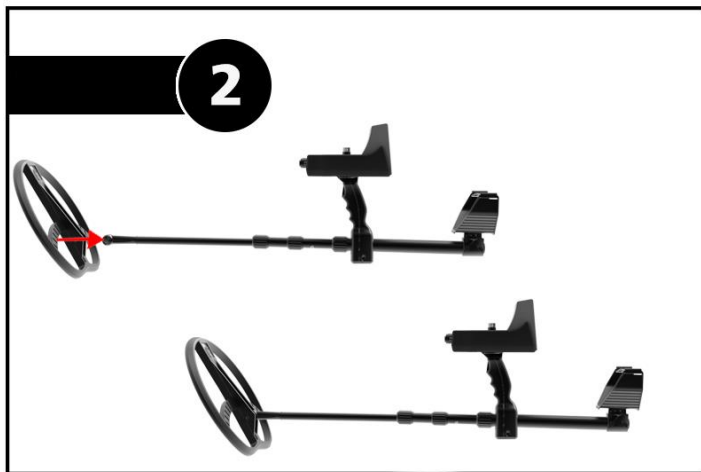
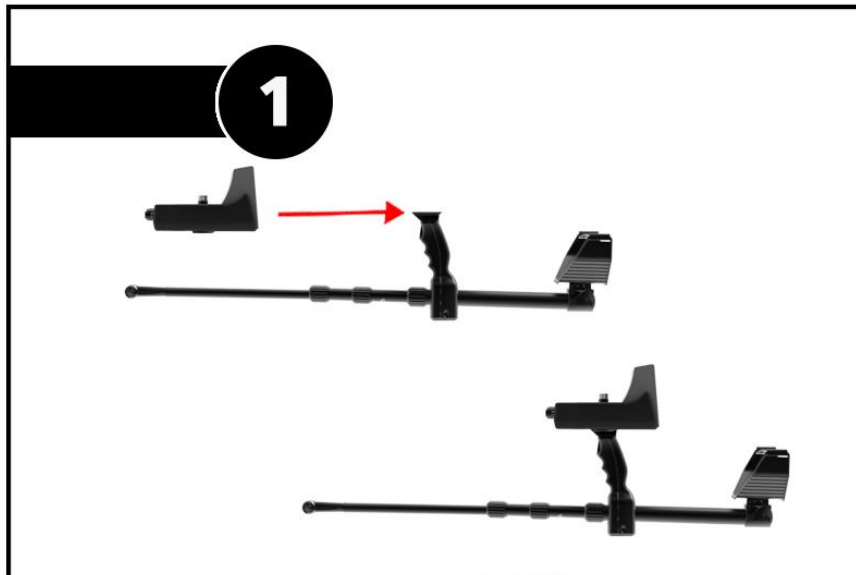
Section 11 (VLF system)



The fastest and easiest system to detect gold nuggets, raw gold, and underground gold, bronze, and silver coins.

This system is featured by a fully automatic operation system that is not affected by soil types: humid, or rich in mineral salts or mineral rocks.

Section 11 (VLF system communication steps)



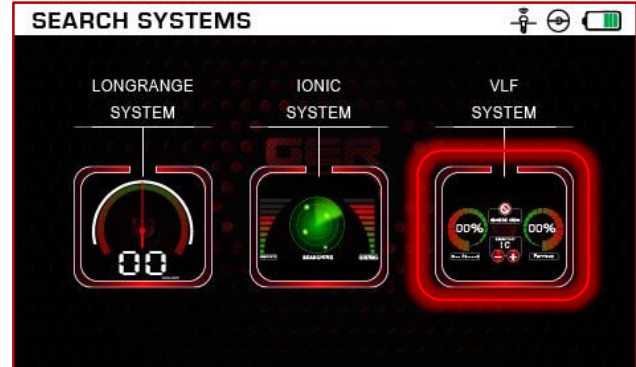
- 1- Install the main unit by attaching it to the handle of the arm.
- 2- Attach the plastic screw that attaches the lower shaft to the search coil, then tighten it enough to hold the coil in place.
- 3- Extend the arm, wind the cable at arm's length and connect it into the main unit.

Section 12 (VLF system operation steps)

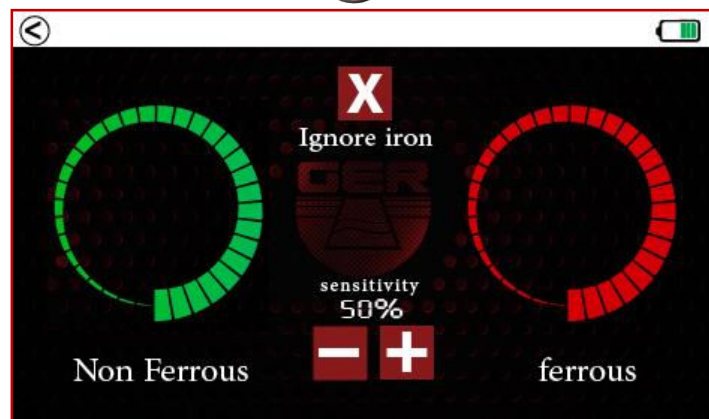
1



2



3



(1) Enter the search systems.

(2) The device will switch to the VLF system automatically.

- The VLF system screen contains several indicators:

1- An indicator of the level of non-precious metals (ferrous).

2- An indicator of the level of precious metals (non-ferrous).

3- A positive (+) button and a negative (-) button to control the sensitivity level of the search coil.

4-The (x) button to “ignore Iron”

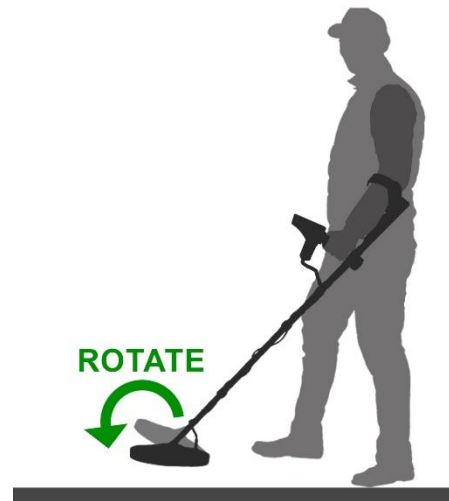
How to connect the Bluetooth headset to the device.

Turn on the device by pressing the on/off button for two seconds.

- Turn on the Bluetooth headset by the ON / OFF button on the speaker.
- Turn on the Bluetooth in the device via the button on the back of the main unit.
- Wait two seconds for a successfully connected headphone.
- You can also use the headphone cable after connecting it to the designated part in the main unit.



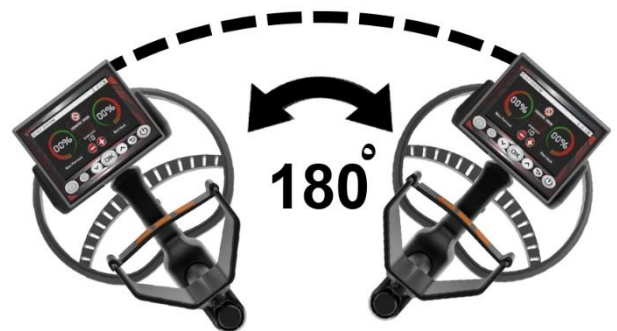
Adjust the search coil to be parallel with
The ground by moving the coil up and down
Gently will Touching the ground



The search coil should be raised almost 2 cm
from the ground while keeping it parallel to
the ground.

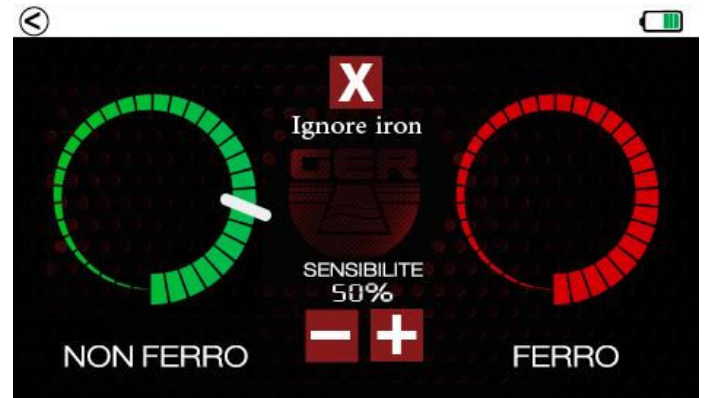


-Start the search process by moving the
device left and right.



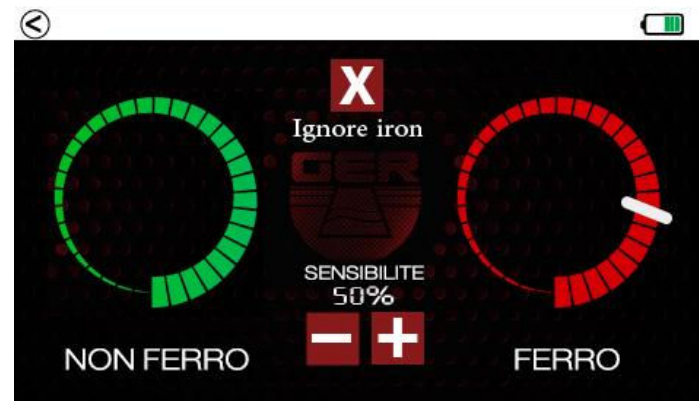
NON-FERROUS:

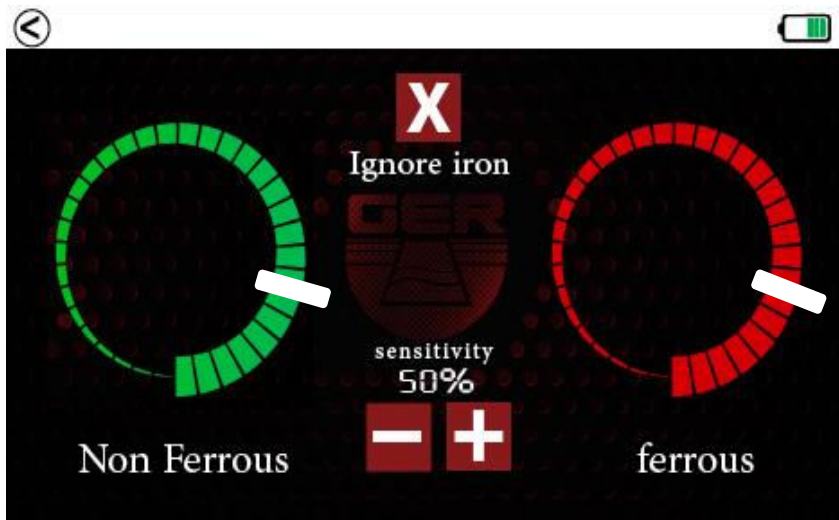
When a precious metal signal is detected, the device will make a sound as the precious metal level indicator moves.



FERROUS:

If the signal is issued by a non-precious metal, the device will sound in a different tone as the non-precious metal level indicator moves.





IGNORE IRON:

If you are only searching for precious metals, press the Ignore Iron button (X).

When a non-precious metal is detected, the device will mute the sound with the non-precious metal level indicator moving.

The device can capture two metals (precious and non-precious at the same time) and distinguish between them through the movement of the indicators of both precious and non-precious metals and making two different sounds together.

If the device picks up two metals (both precious and non-precious) and the (Ignore Iron) button is activated, the indicators of the level of precious and non-precious metals will move with a sound only for the precious metal.

We will be passing a group of both precious and non-precious metals simultaneously.

Section 13 (The device parts and accessories)

The device parts and accessories



A carrying and a protective case for the device.



Two-year warranty card



The main unit of the device



A long-range sensor

 A black cylindrical component with a silver metal pin extending from the top and a smaller silver pin protruding from the bottom.	<p>Signal recipient</p>
 Two black, cylindrical antennas standing vertically side-by-side.	<p>Antennas</p>
 A black handle with a silver metal shaft and a circular disc at the end. The word "IONIC" is printed in white on the handle.	<p>Ionic sensor</p>
 A black, L-shaped metal component with a handle and a long arm.	<p>The portable arm device</p>
 A black, curved armrest with the "GER" logo in orange on the top surface.	<p>Armrest</p>



Search coil size 30 x 30 cm



Plastic nail to fix the search coil to the arm



Electric charger



Electric car charger

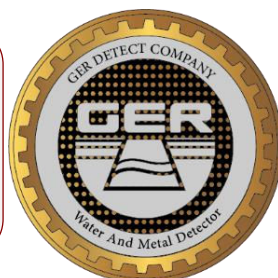


Headphone supports cable and Bluetooth technology (rechargeable)



Multi uses shovel as a gift

We wish you the best of luck in your search



Thanks for choosing our products